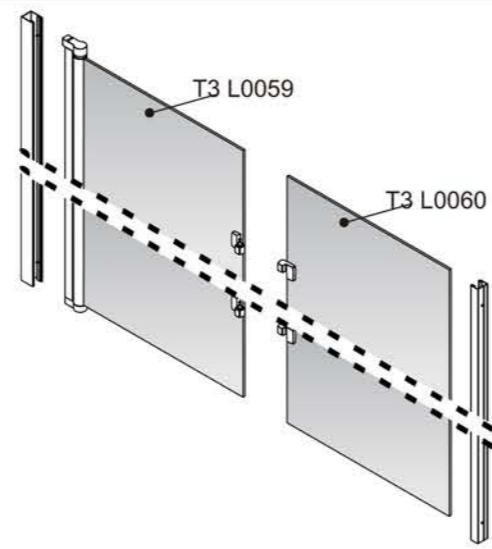
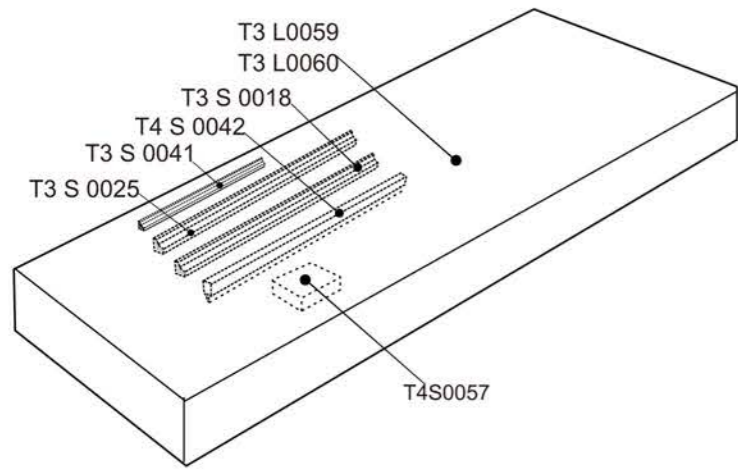


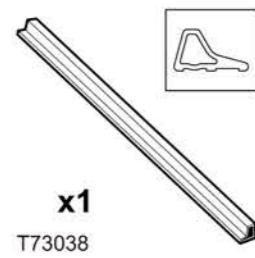
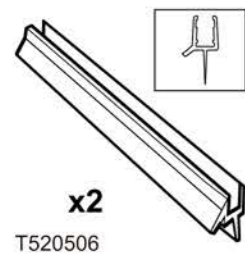
24H



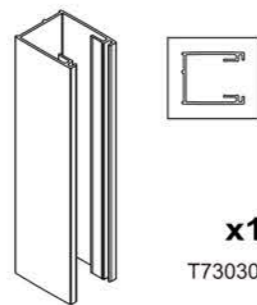
T4S0057

T2 00002	x8	Ø6 x8	Ø9 x8			
T2 00027	x8	x8	Ø3 x2			
T2 00028	x1	x1	x1			
T2 00029	x1	x1	x1	x1	x1	
T2 00030	x1	x1	x1	x1	x1	
T2 00051	x4	x1	x1			
T2 00072	x2	x2	x4	x1	x1	x1

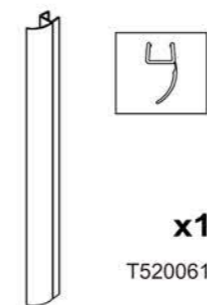
T4S0042



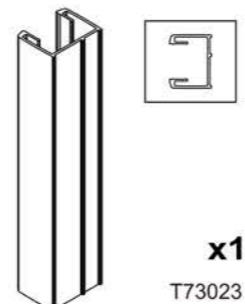
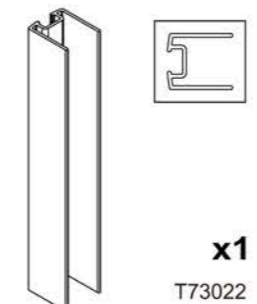
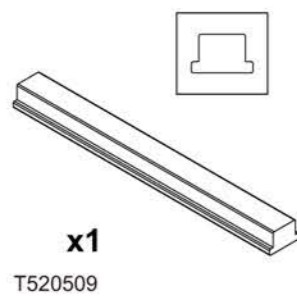
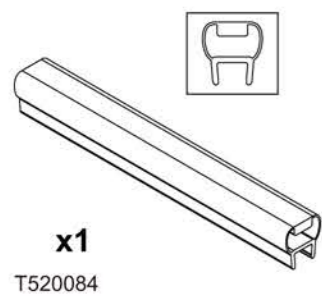
T3S0018



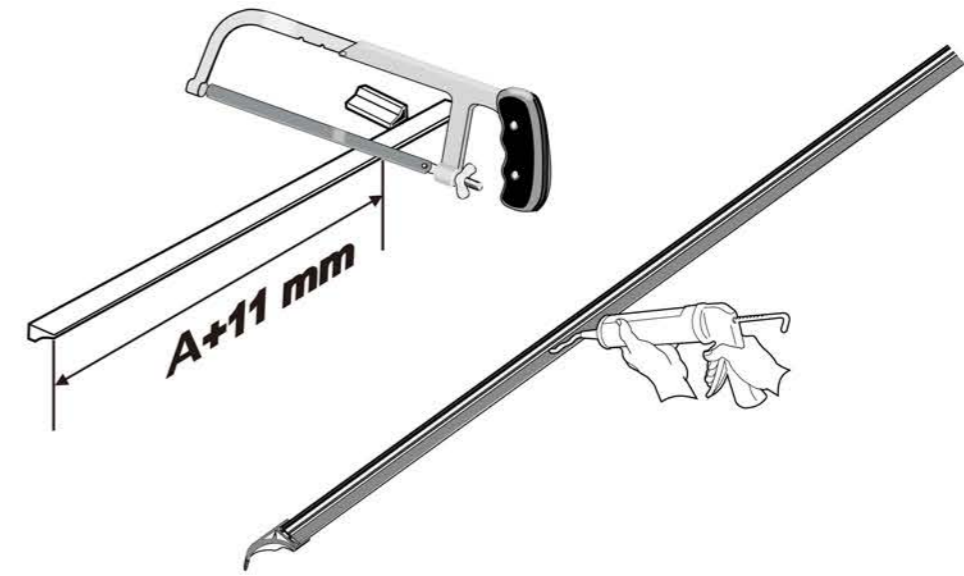
T3S0041



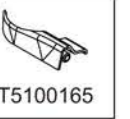
T3S0025



20

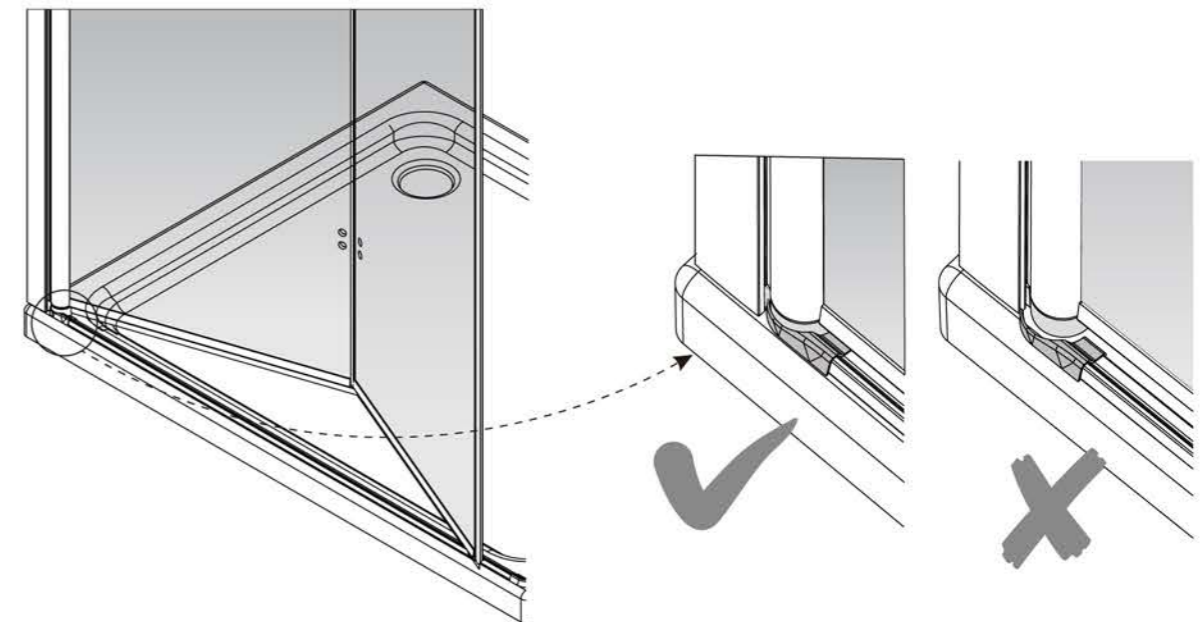


T2 00030

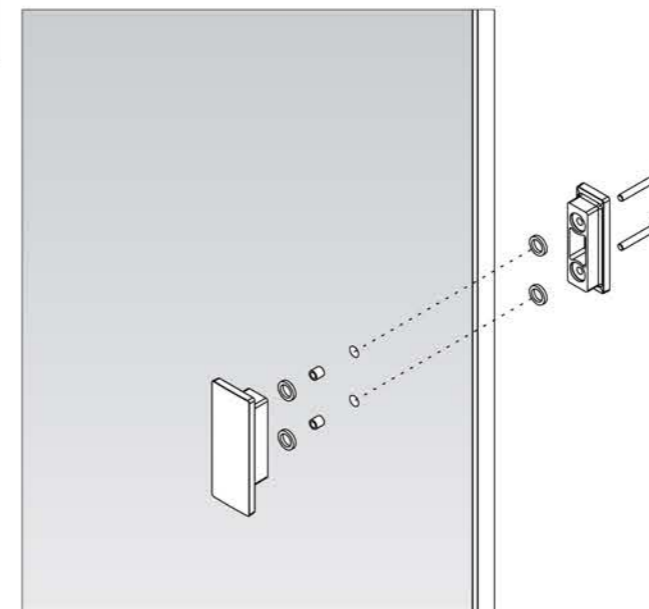


T5100165

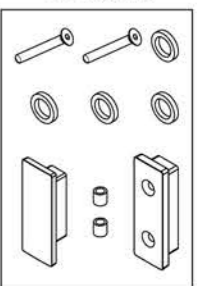
21



22

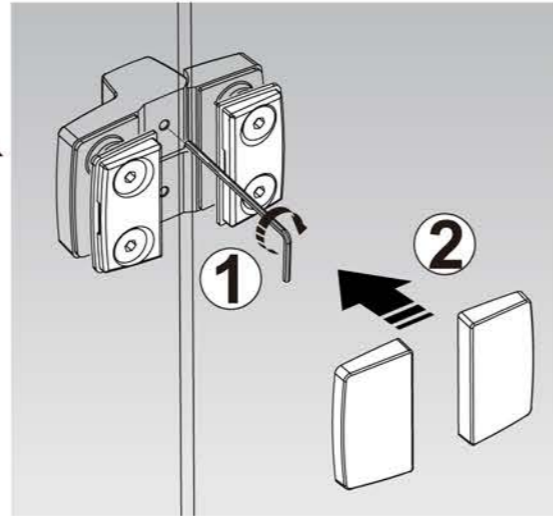
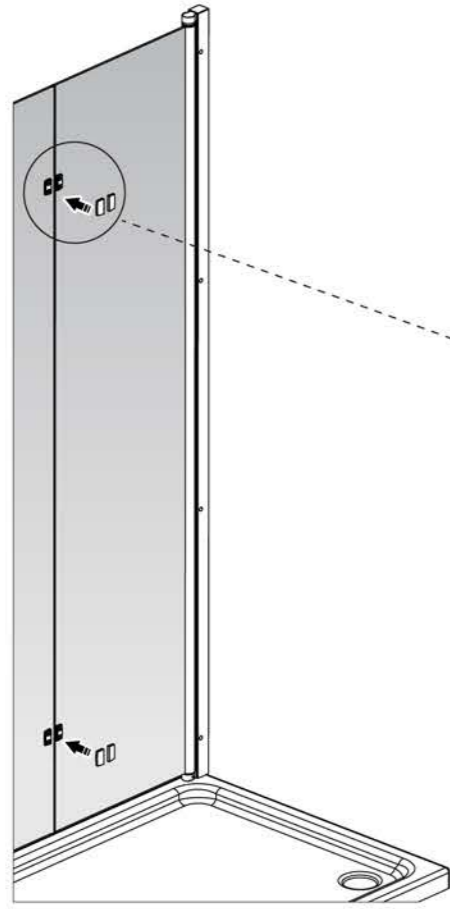
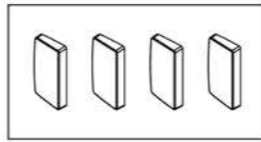


T2 00072



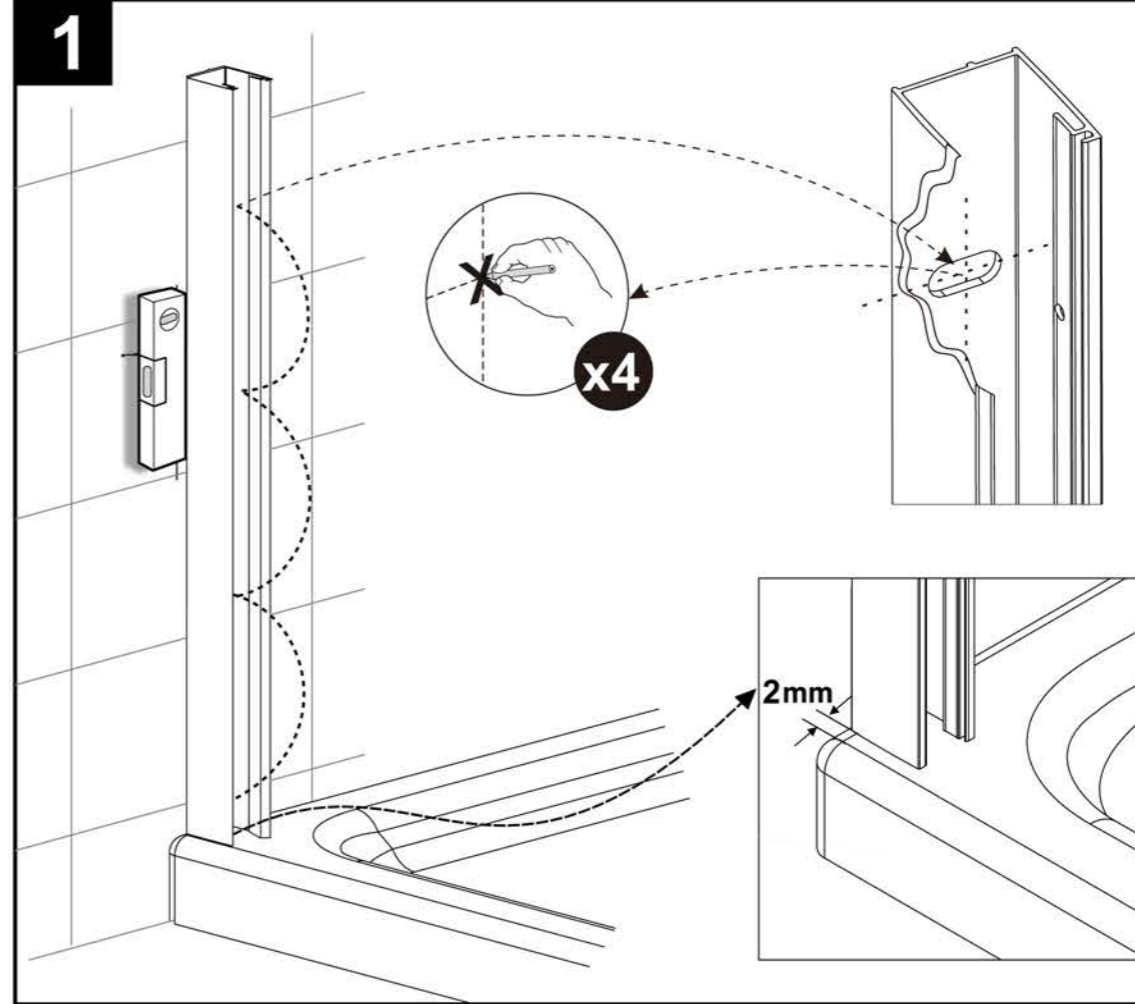
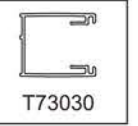
18

T2 00051



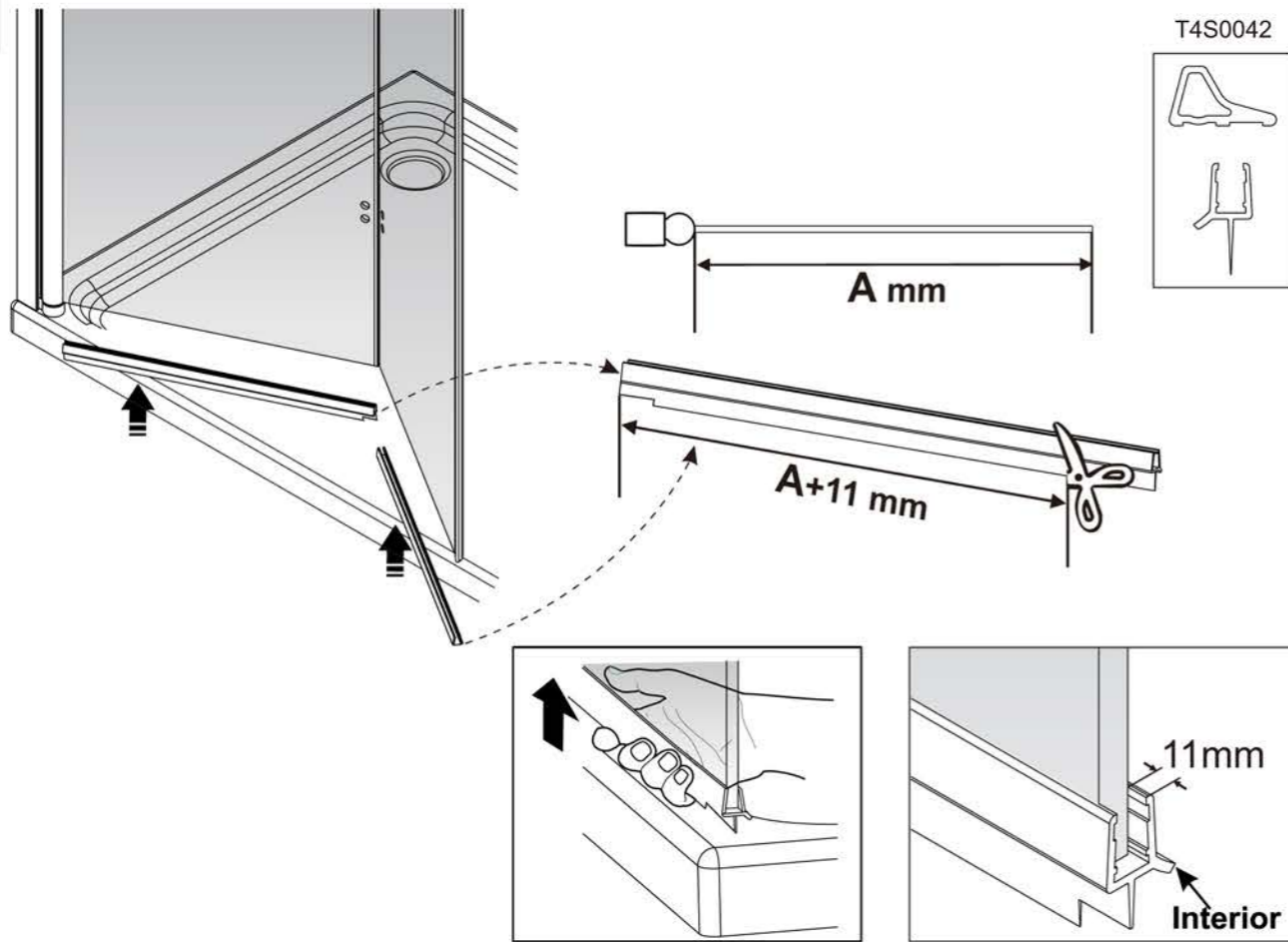
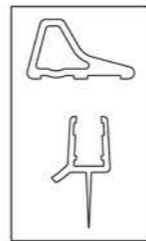
1

T3S0018



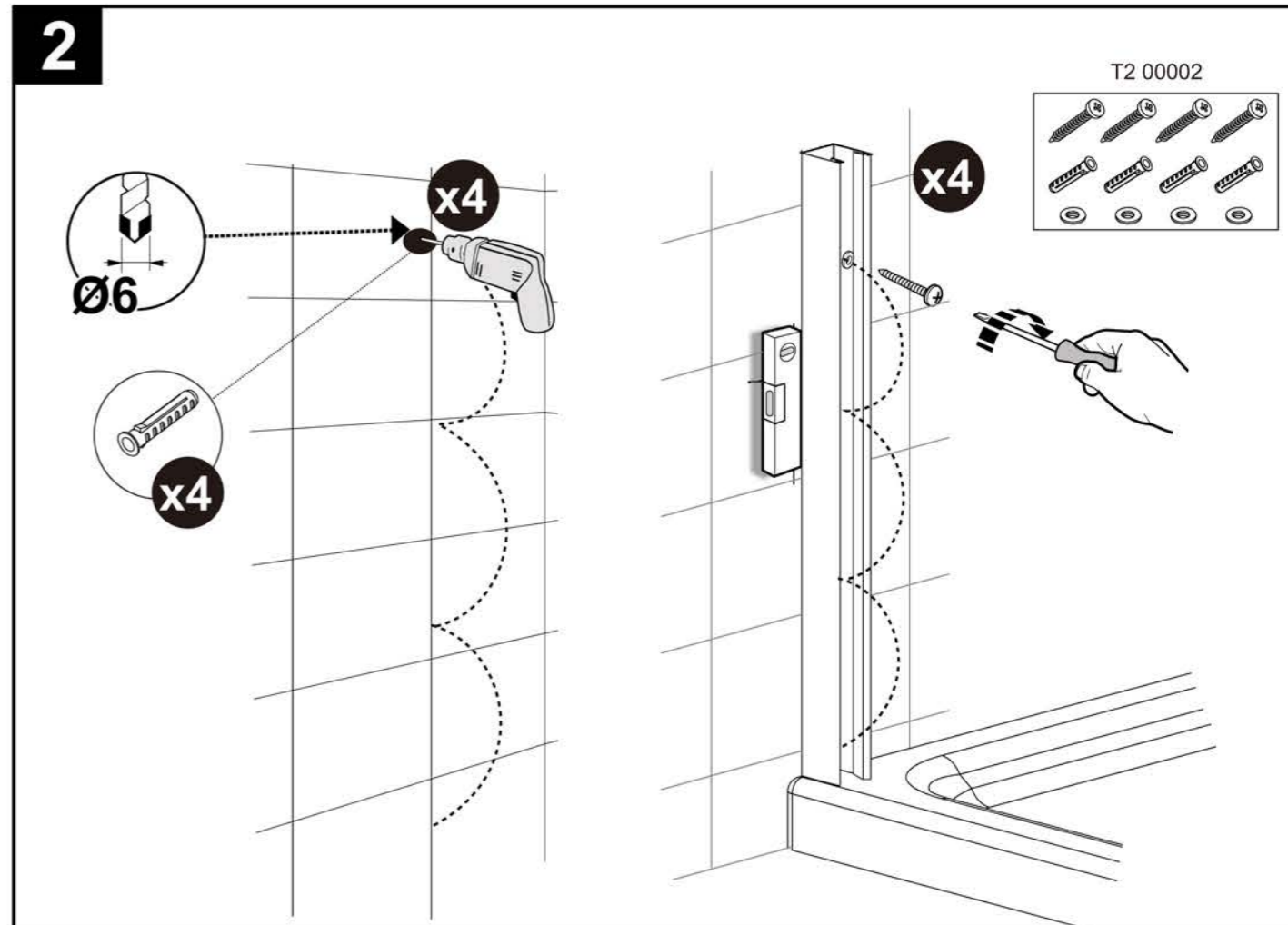
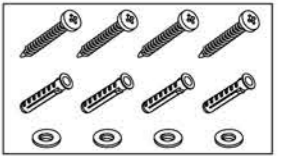
19

T4S0042

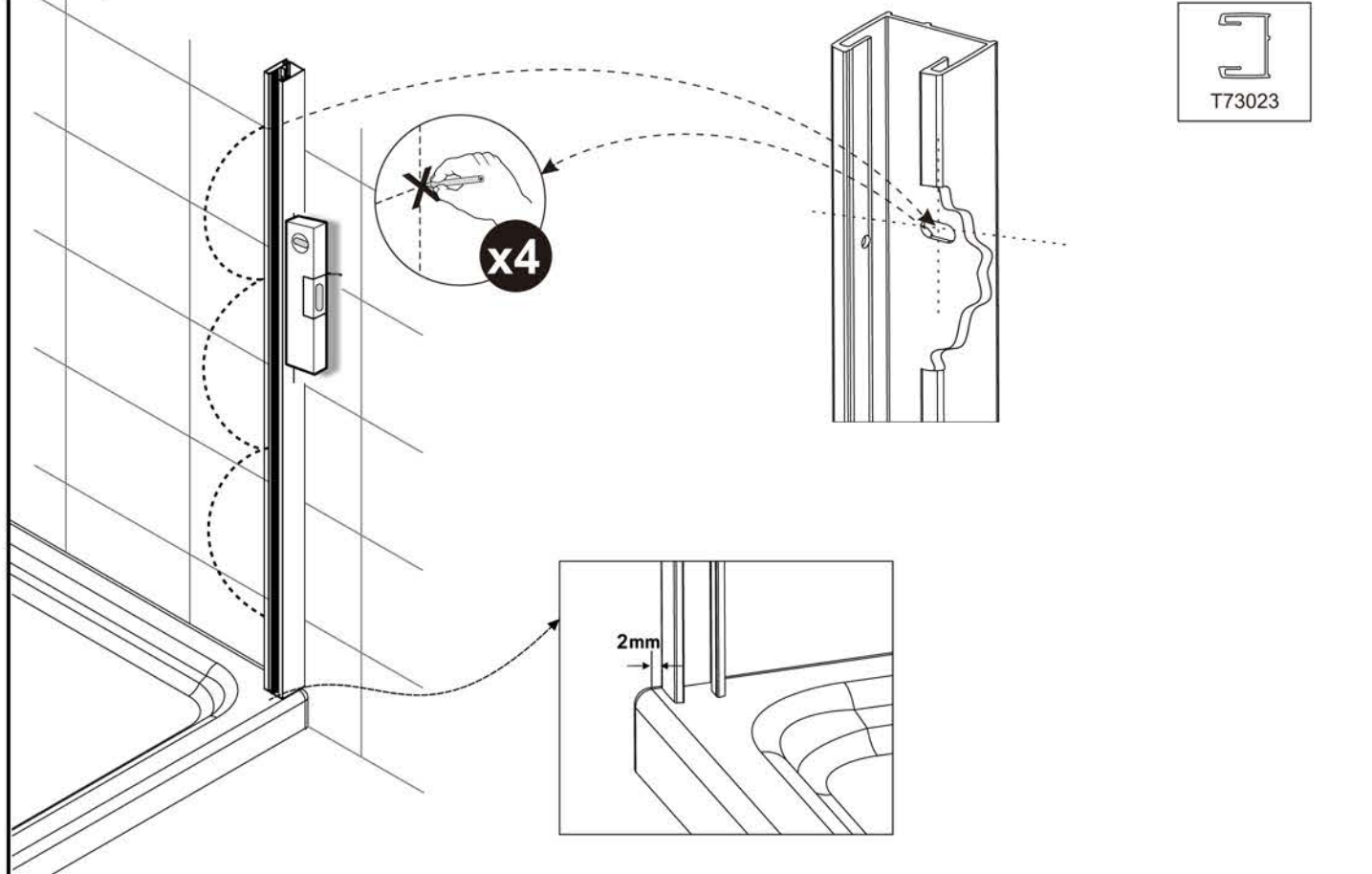


2

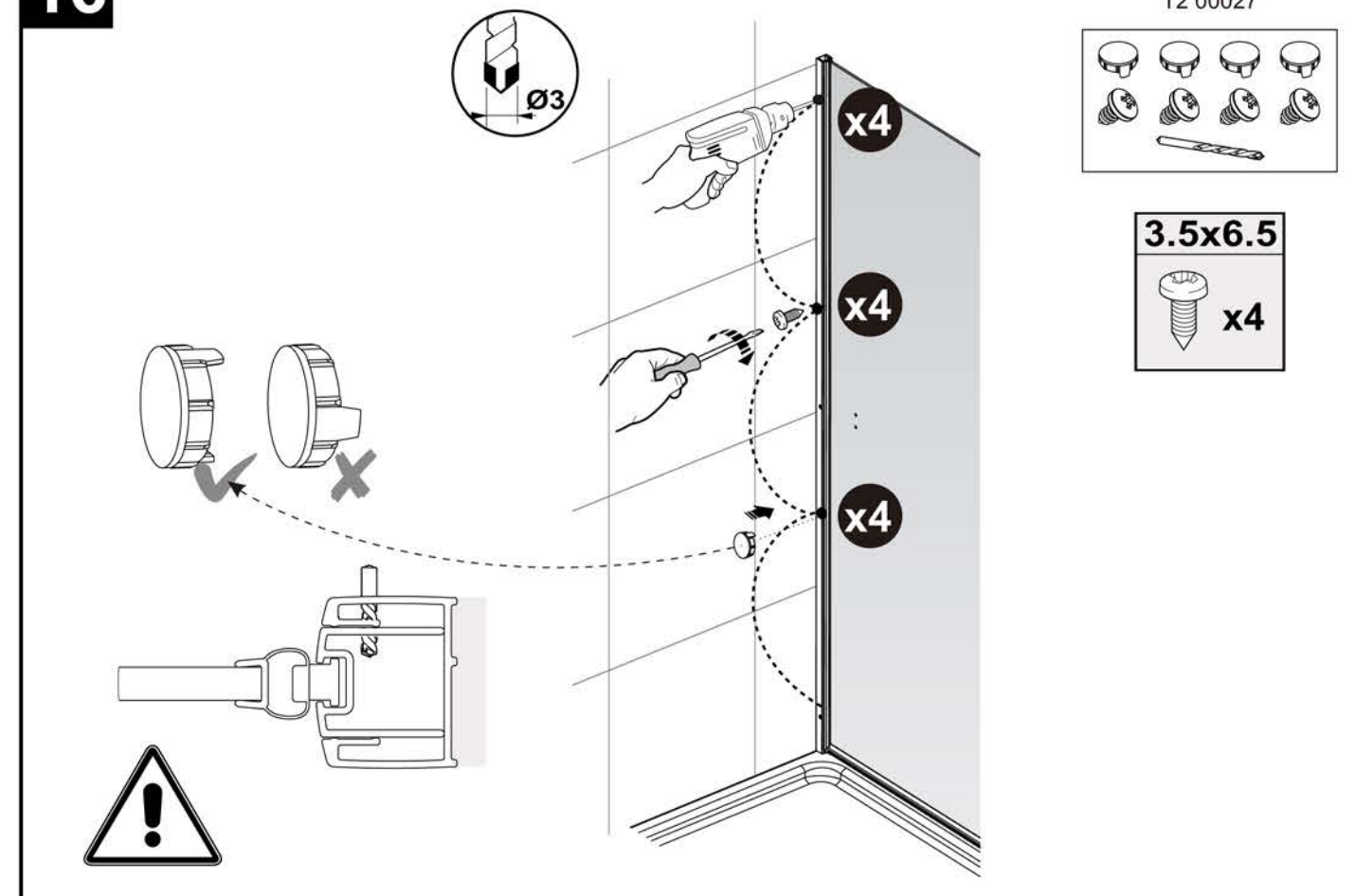
T2 00002



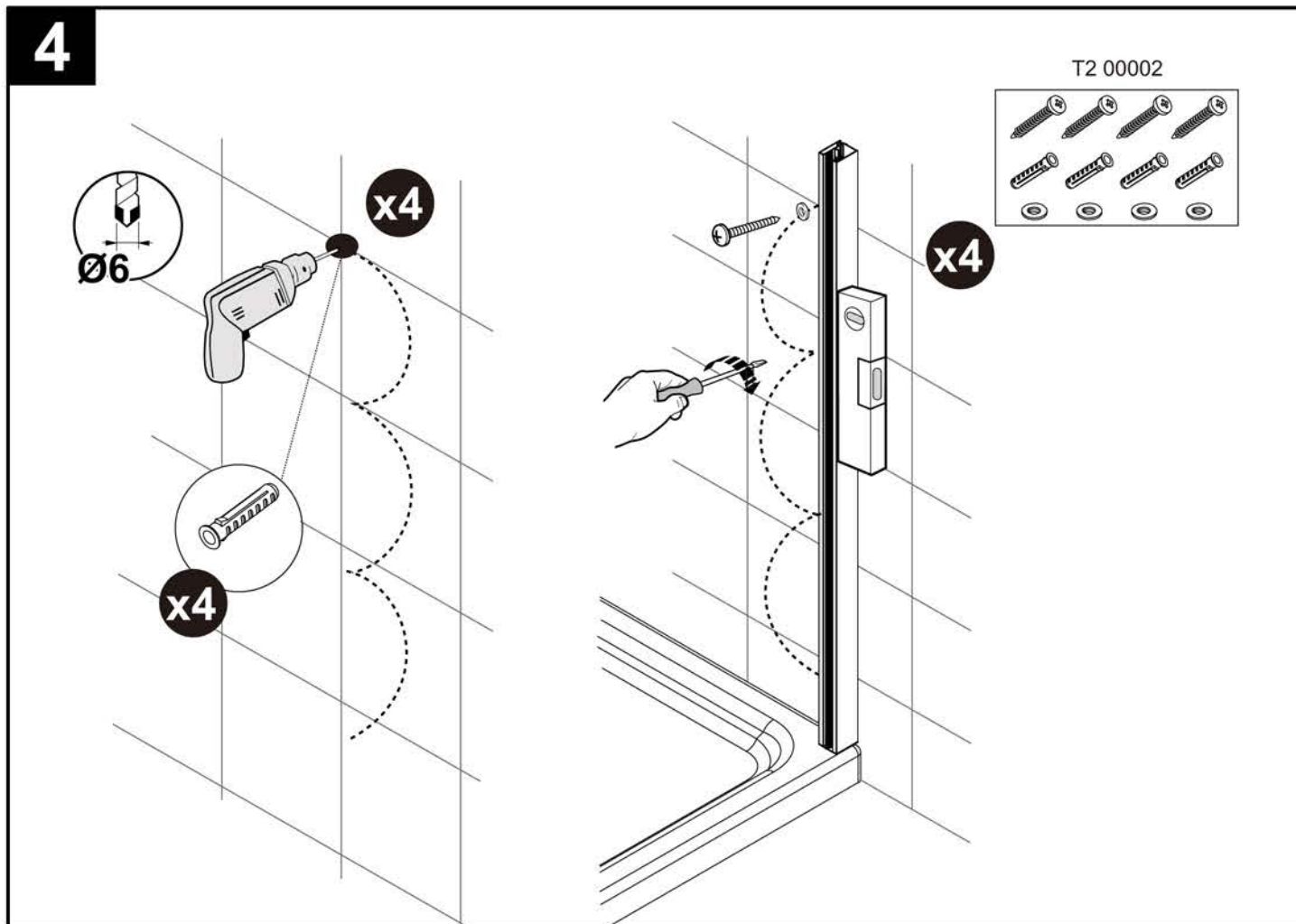
3



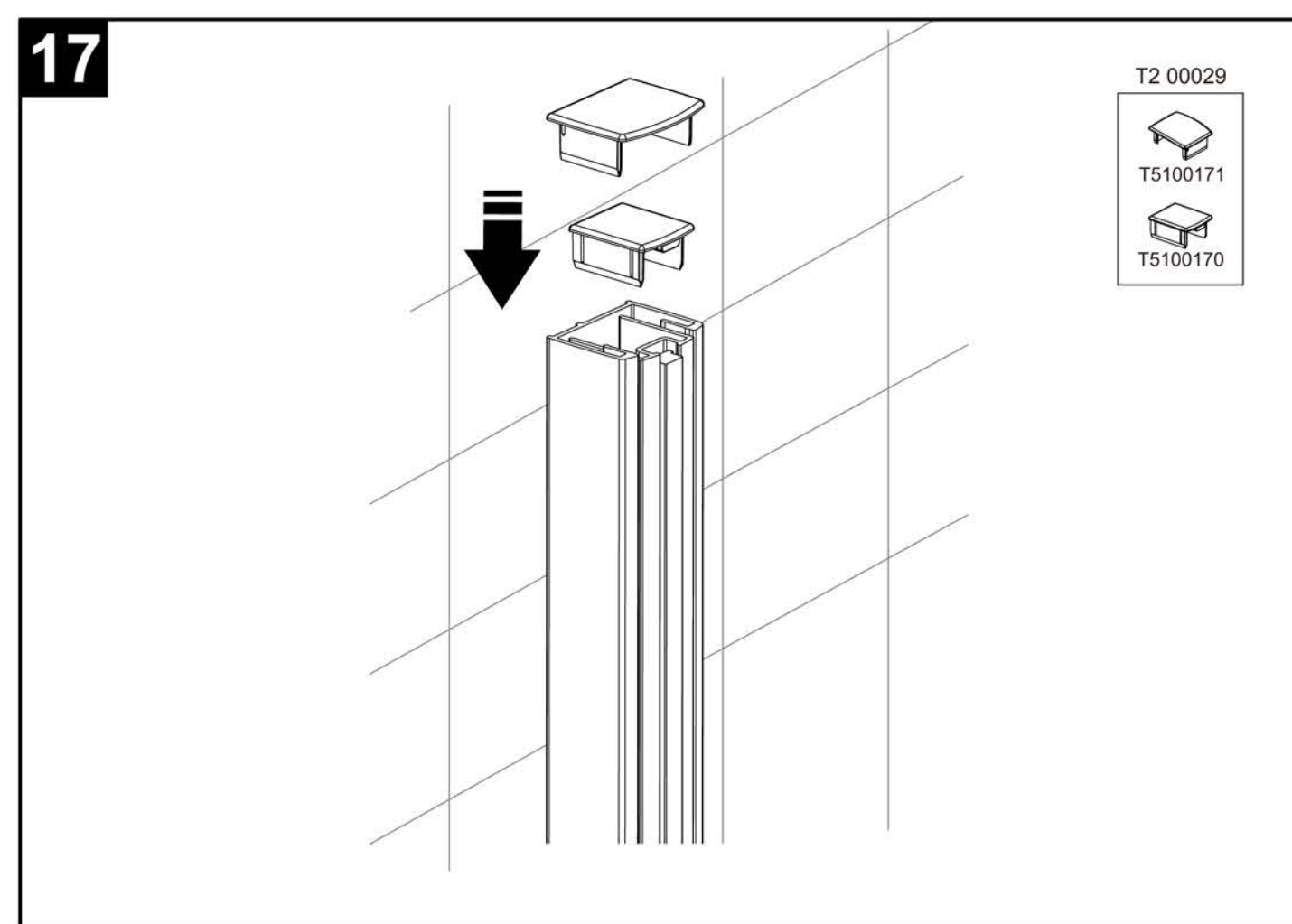
16



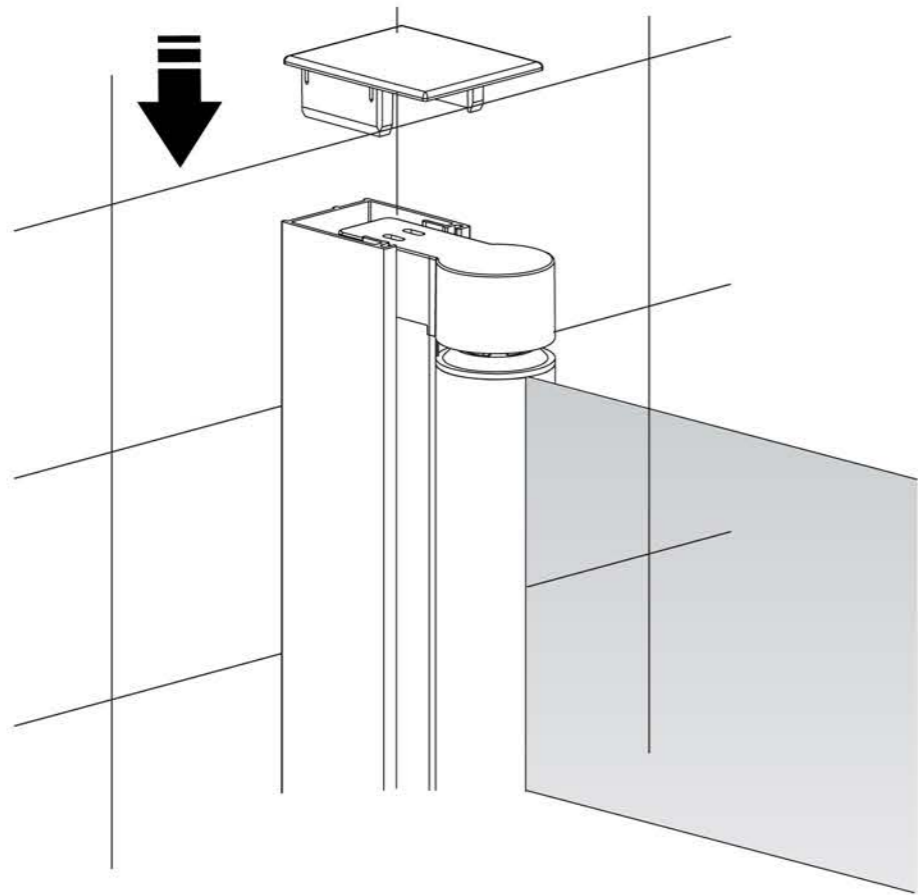
4



17



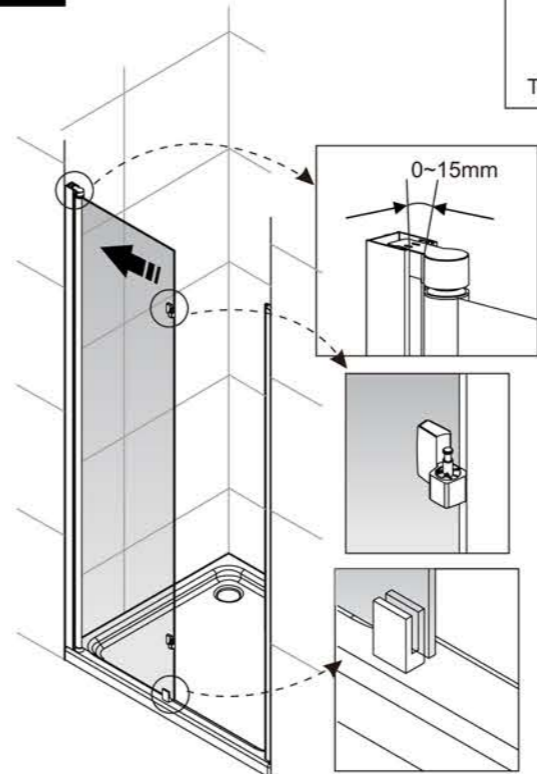
14



T2 00028



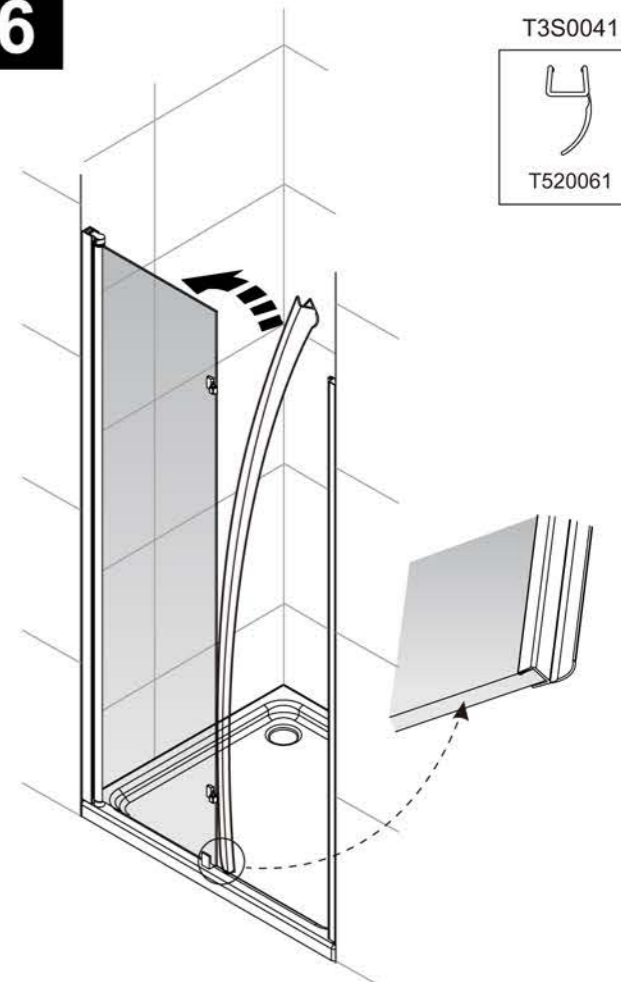
5



T2 00028



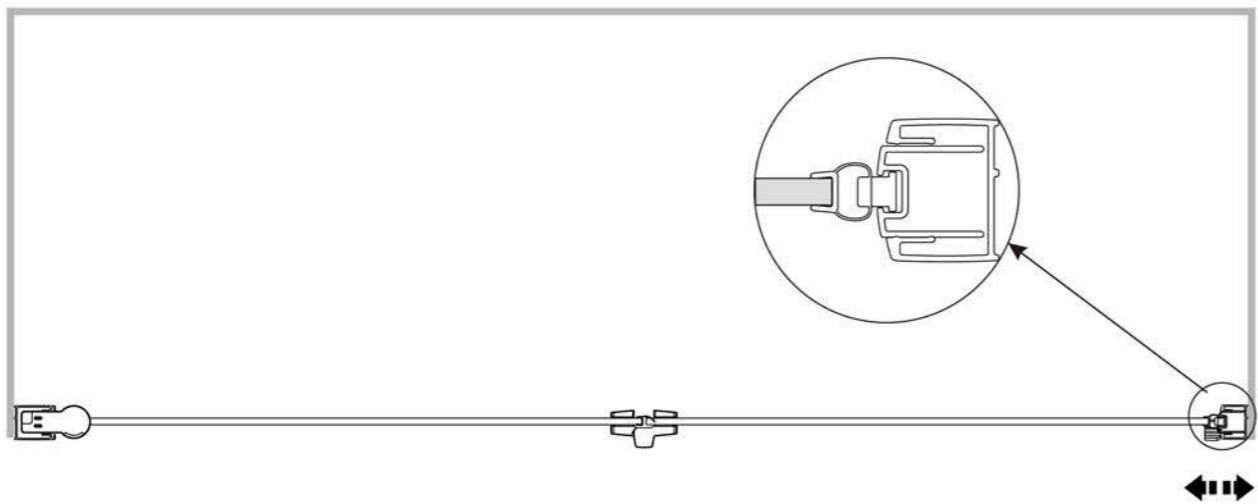
6



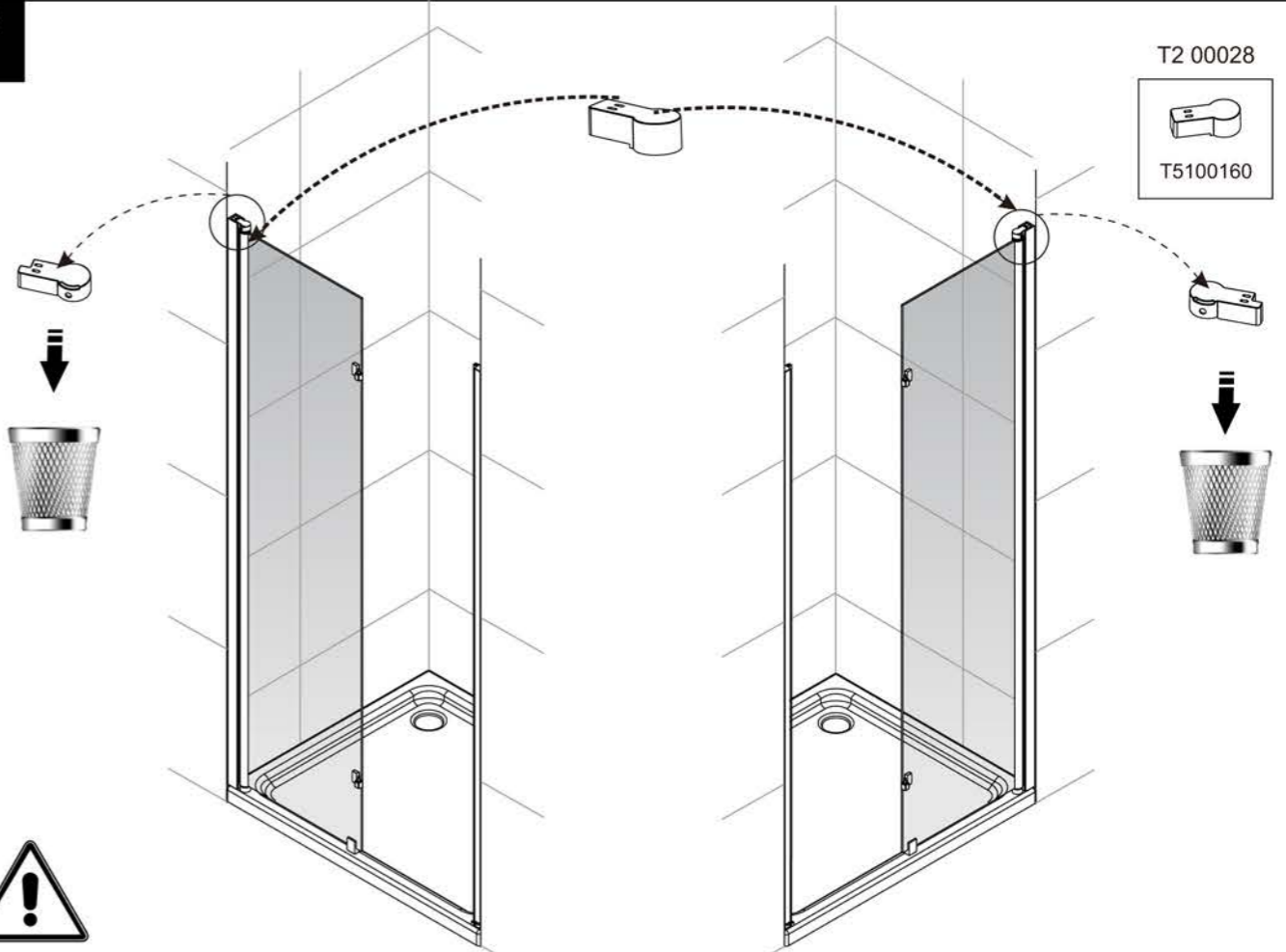
T3S0041



15



7



T2 00028



